

# Cylinder pressure regulator HP 100

- single stage in brass, nickel and matt chrome plated or stainless steel electropolished



TECHNICAL DETAILS		APPLICATION AREA	DESCRIPTION
Body:	stainless steel 1.4404 electropolished or brass, nickel and matt chrome plated	Especially for gases with high requirements on purity up to 6.0 and for laboratories and analytics.	The pressure regulator HP 100 is a single stage cylinder pressure regulator and has been developed especially for the gas supply from single cylinders.
Seat:	PCTFE	A special cleaning system for the HP series guarantees the use for ECD applications.	The pressure regulator is fitted as a standard with gas specific connections to DIN 477 or any other common national standard and a relief valve.
Diaphragm:	1.4435		
Leakage rate:	10 <sup>-8</sup> mbar l/s He against atmosphere		
Gas purity:	≤ 6.0		
Max. inlet pressure:	300 bar		
Outlet pressure ranges:	0,1-3; 1-6; 1-12; 1-17 bar		
Operating temp.:	-20°C to +70°C		
Gauges:	safety version to EN 837-1 KL1,6		
Dimensions (wxhxd):	180 x 95 x 125 mm		
Weight:	1400 g		
Connections:	NPT 1/4" f		

## QUALITY STANDARD

The company Hornung is certified to **DIN EN ISO 9001** and **ISO 14001:2009**. All single parts are manufactured, assembled and tested by in-house production. The finished parts are therefore under all criteria of German quality control with 100% final inspection.

# HORNUNG

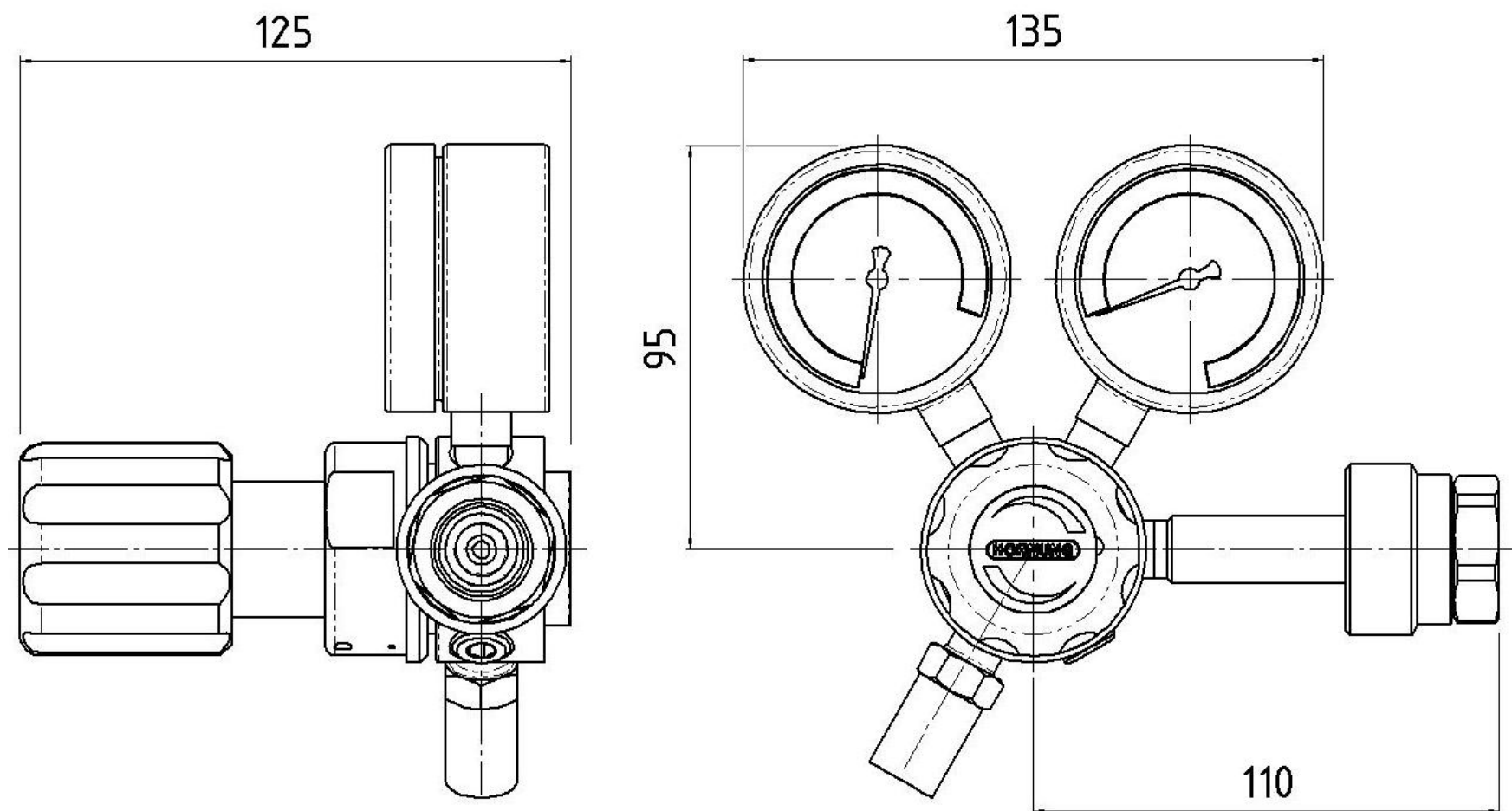
Präzision made in Germany

Rathenaustraße 55  
63263 Neu-Isenburg

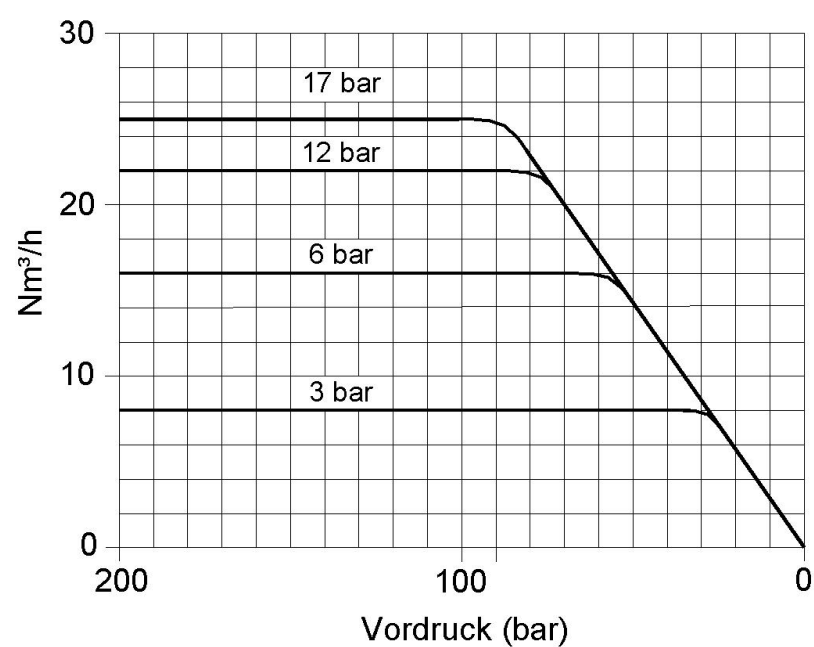
Phone: +49 6102 7883-70  
Fax: +49 6102 7883-40

www.hornung.org  
info@hornung.org

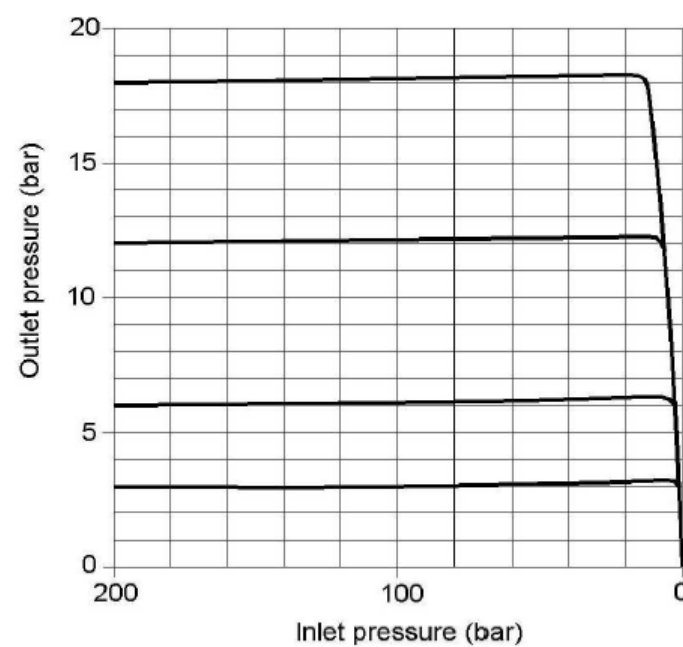
# HP 100



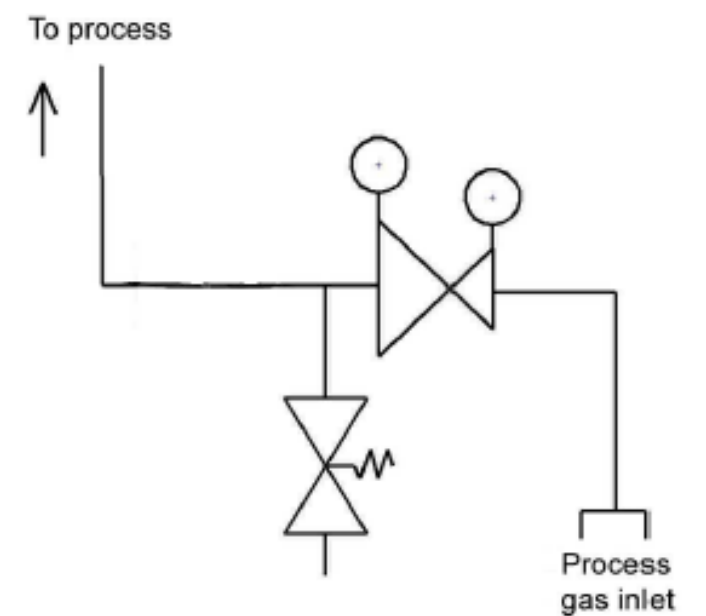
## PERFORMANCE CURVE



## DYNAMIC FLOW CURVE



## FLOW DIAGRAM



## ORDER DETAILS

**Material:**  
1 = stainless steel  
2 = brass

**Inlet pressure:**  
1 = 200 bar  
2 = 300 bar

**Pressure pressure ranges:**  
2 = 0,1 - 3 bar  
3 = 1 - 6 bar  
4 = 1 - 12 bar  
5 = 1 - 17 bar

**Options for the outlet:**  
0 = 1/4" NPT - internal thread  
1 = compression fitting 6 mm  
2 = diaphragm shut-off valve  
3 = diaphragm metering valve  
4 = flowmeter

Regulator type	1-stage	66-	1	1	2	0	Gas type
without purging	66	Type	Material	Inlet	Outlet	Option	Gas type

**Accessories:** See total catalogue segment

5. Diaphragm shut-off and metering valves  
7. Gauges, screws, compression fittings and other accessories